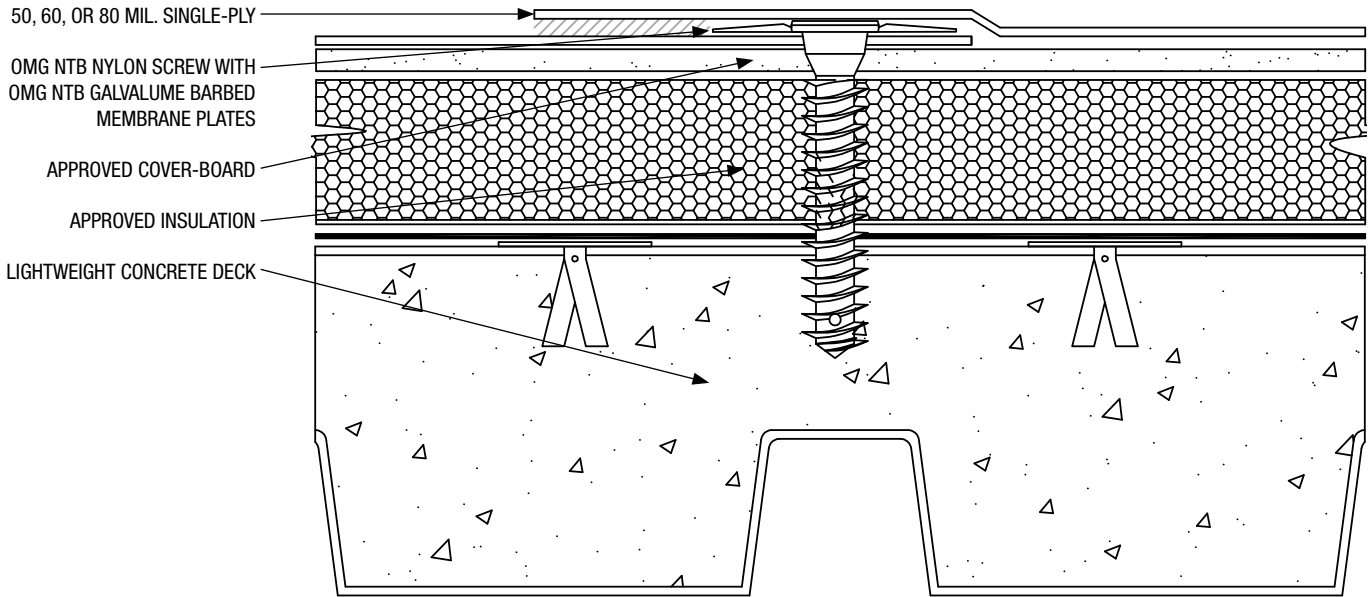


Project Name: _____ Contractor Name: _____


50 60 80 MANTB-CB-RI-XBUR-LWICRC (Lightweight Concrete) *FastSpec™*
Lightweight Insulating Concrete Deck – Recover – Fire Rated, Fire Sheet, Mechanically Attached Membrane

Fire Rating*		Deck Type	Separator Sheet (Installed Over Existing Roof)		50, 60, or 80 mil. Single-Ply		Max. Design Pressure**
			Type	Attachment	Fasteners	Attachment	
<input type="checkbox"/>	Unlimited Class 'A'	Min. 3" thick Light Weight Insulating Concrete over Steel Deck	One or more layers of Approved Insulation and Gypsum Cover-Board	Preliminary attached (4 per 4 x 4) (8 per 4 x 8)	OMG NTB Nylon Screw with OMG NTB Galvalume Barbed Membrane Plates	Max. 6-in. o.c. in min. 5-in. side laps spaced max. 67 in. apart. Outside of seam sealed with min. 1.5 in heat weld.	

Contact IB Should you need assistance. The roofing system must be installed in strict accordance with the current 'IB Roof Systems Specifications Manual and Details', the project specifications, the building code, and good roofing practices by an authorized IB Applicator. Deviations from these requirements, not approved in writing by IB Roof Systems and the Authority Having Jurisdiction are not covered by any or implied IB Roof Systems Warranty.

* Existing Roof: SBS or APP modified, or oxidized asphalt smooth coated, mineral surfaced, or gravel surfaced fire rated roofing system.

Approved Insulations: IB ISO, II, III, and IV, R-Max Multi-Max, Hunter, Atlas ACFoam II, III, IV, JM 'NRG', Firestone, GAFTemp Polyisocyanurate Tapered or Flat Stock.

Approved Cover-Boards: Dens Deck, Dens Deck Prime, Dens Deck DuraGuard, Securock, minimum 1/4" thickness.

** Average pull-outs for lightweight insulating concrete (per ANSI/SPRI FX 1-05): 300 lbs. (1) Does not constitute an FM system. For reference only.

Solar Reflectance (White)	Initial: 0.87	3-Year Weathered: 0.74
Thermal Emittance	Initial: 0.88	3-Year Weathered: 0.90

Available Warranties

<input type="checkbox"/>	50 Mil Membrane	<input type="checkbox"/> CG	15-Year 'Material Only', Material and Labor, or No Dollar Limit (NDL). Additional warranties also available.
<input type="checkbox"/>	60 Mil Membrane	<input type="checkbox"/> TR	20-Year 'Material Only', Material and Labor, or No Dollar Limit (NDL). Additional warranties also available.
<input type="checkbox"/>	80 Mil Membrane	<input type="checkbox"/> CG	25-Year 'Material Only', Material and Labor, or No Dollar Limit (NDL). Additional warranties also available.

IB Roof Systems are listed with the following agencies:
