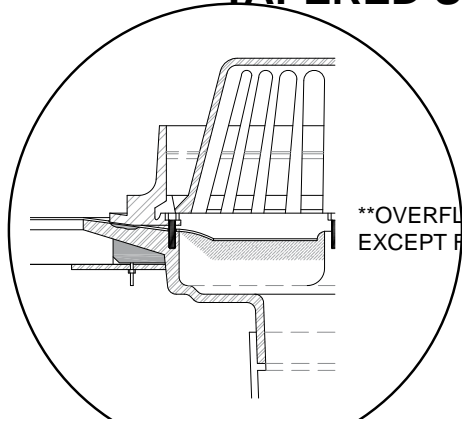


## TAPERED SUMP CLAMPING RING DRAIN

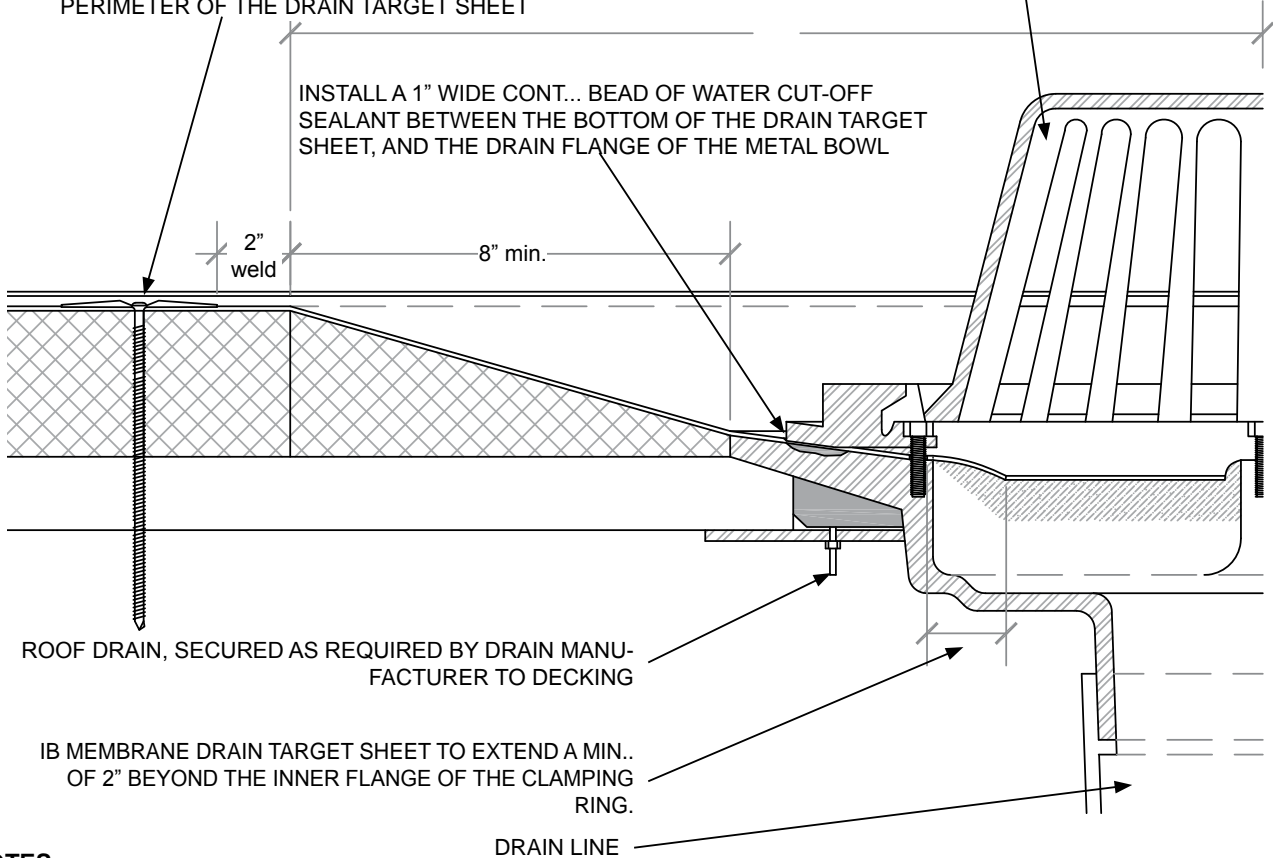


\*\*OVERFLOW DRAINS ARE THE SAME EXCEPT FOR THE RESTRICTOR COLLAR

INSTALL SCREWS AND PLATES @ 12" O.C. AROUND PERIMETER OF THE DRAIN TARGET SHEET

INSTALL INTER-LOCKING METAL STRAINER AND BASKET OVER THE DRAIN TARGET SHEET

INSTALL A 1" WIDE CONT... BEAD OF WATER CUT-OFF SEALANT BETWEEN THE BOTTOM OF THE DRAIN TARGET SHEET, AND THE DRAIN FLANGE OF THE METAL BOWL



**NOTES:**

1. THIS DETAIL IS TO BE USED FOR NEW CONSTRUCTION RE-ROOF, AND RE-COVER APPLICATIONS.
2. RE-ROOF AND RE-COVER INSTALLATIONS: ENSURE THAT NO ASPHALTIC RESIDUE (I.E. PLASTIC ROOF CEMENT, STEEP SLOPE ROOFING ASPHALT, WET PATCH, ETC) COMES IN DIRECT CONTACT WITH THE PVC MEMBRANE.
3. RIGID ROOF INSULATION CAN BE SHAVED TO FORM A ROUND TAPERED SUMP FOR BETTER WATER-FLOW TO THE DRAIN RECEPTACLE.

ALL NON-CLAMPING STYLE ROOF DRAINS ARE NOT COVERED UNDER ANY IB ROOF SYSTEM WARRANTY. PRE-APPROVAL OF ALTERNATE ROOF DRAINS MUST BE MADE FOR ANY 'NDL' OR 'LABOR AND MATERIAL' WARRANTIES.

PROJECT NAME:

TITLE:

### MD-1 TAPERED SUMP CLAMPING RING DRAIN

*\* Click here to link to the AutoCAD™ drawing*

SCALE: NTS

APPROVED BY:

DRAWN BY: A.SCHWAB

PLOT DATE: 11-08  
REV: AS 11-08