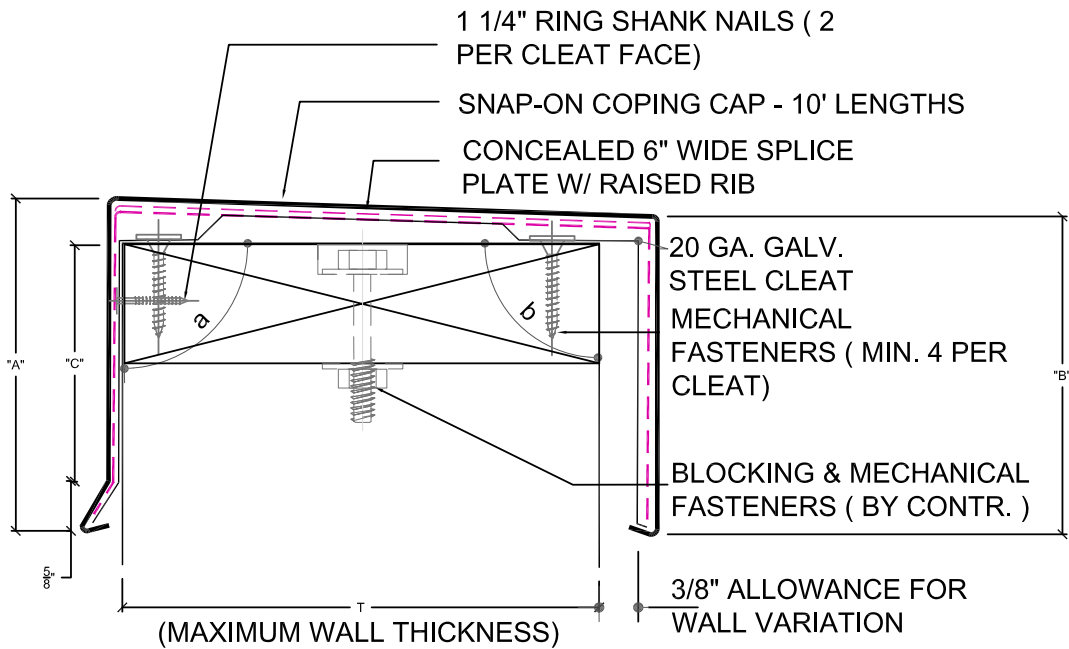


WP HICKMAN PERMA-SNAP COPING CAP



PROJECT NAME:

TITLE:

MB-21 WP HICKMAN PERMA-SNAP COPING CAP

** Click here to link to the AutoCAD™ drawing*

SCALE: NTS

APPROVED BY:

DRAWN BY: A.SCHWAB

PLOT DATE:11-08
REV: AS 11-08