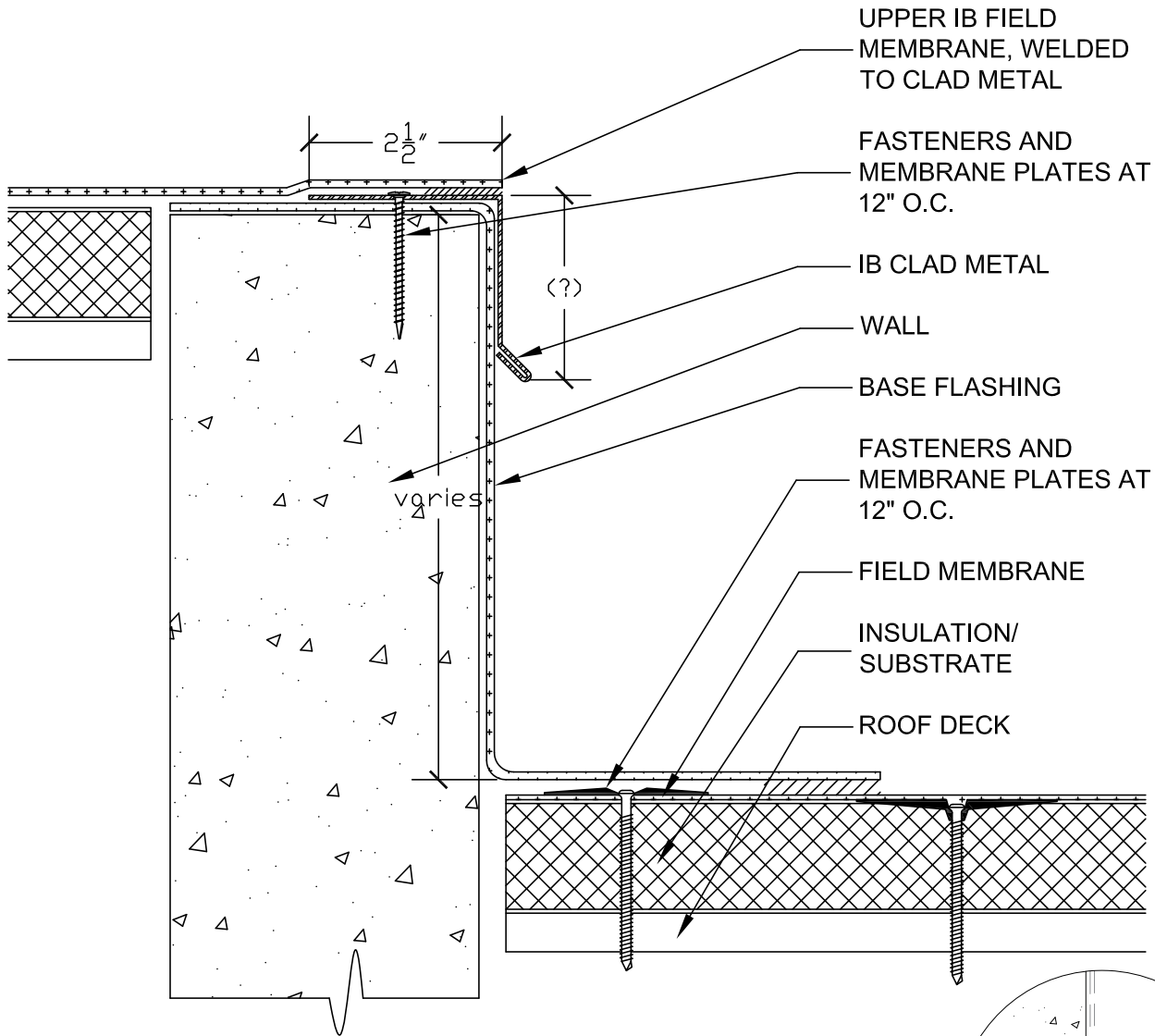
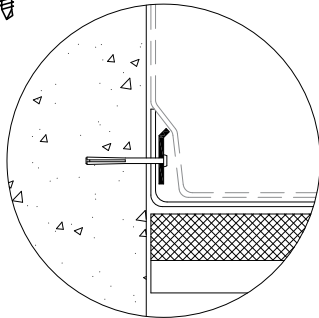


IB CLAD METAL ELEVATION CHANGE TIE-IN



TERMINATION BAR OPTION: CAN BE USED IN LIEU OF SCREWS AND PLATES AT THE BASE OF THE WALL



NOTES:

1. IB VERTIBOND BONDING ADHESIVE, APPLIED AT THE NOMINAL RATE OF 2 GALS. PER SQUARE (50% TO THE BACK OF THE SHEET AND 50% TO THE SUBSTRATE) MANDATORY ON BASE FLASHING HEIGHTS OF <18" (GREATER THAN), OPTIONAL ON HEIGHTS >18" (LESS THAN).
2. RETROFIT ROOFS REQUIRE ALL EXISTING BASE FLASHING TO BE REMOVED BEFORE INSTALLING IB MEMBRANE BASE FLASHINGS.

PROJECT NAME:	MB-10 IB CLAD METAL ELEVATION CHANGE TIE-IN		
	<i>* Click here to link to the AutoCAD™ drawing</i>		
SCALE: NTS	APPROVED BY:	DRAWN BY: A.SCHWAB	PLOT DATE: 11-08 REV: AS 11-08