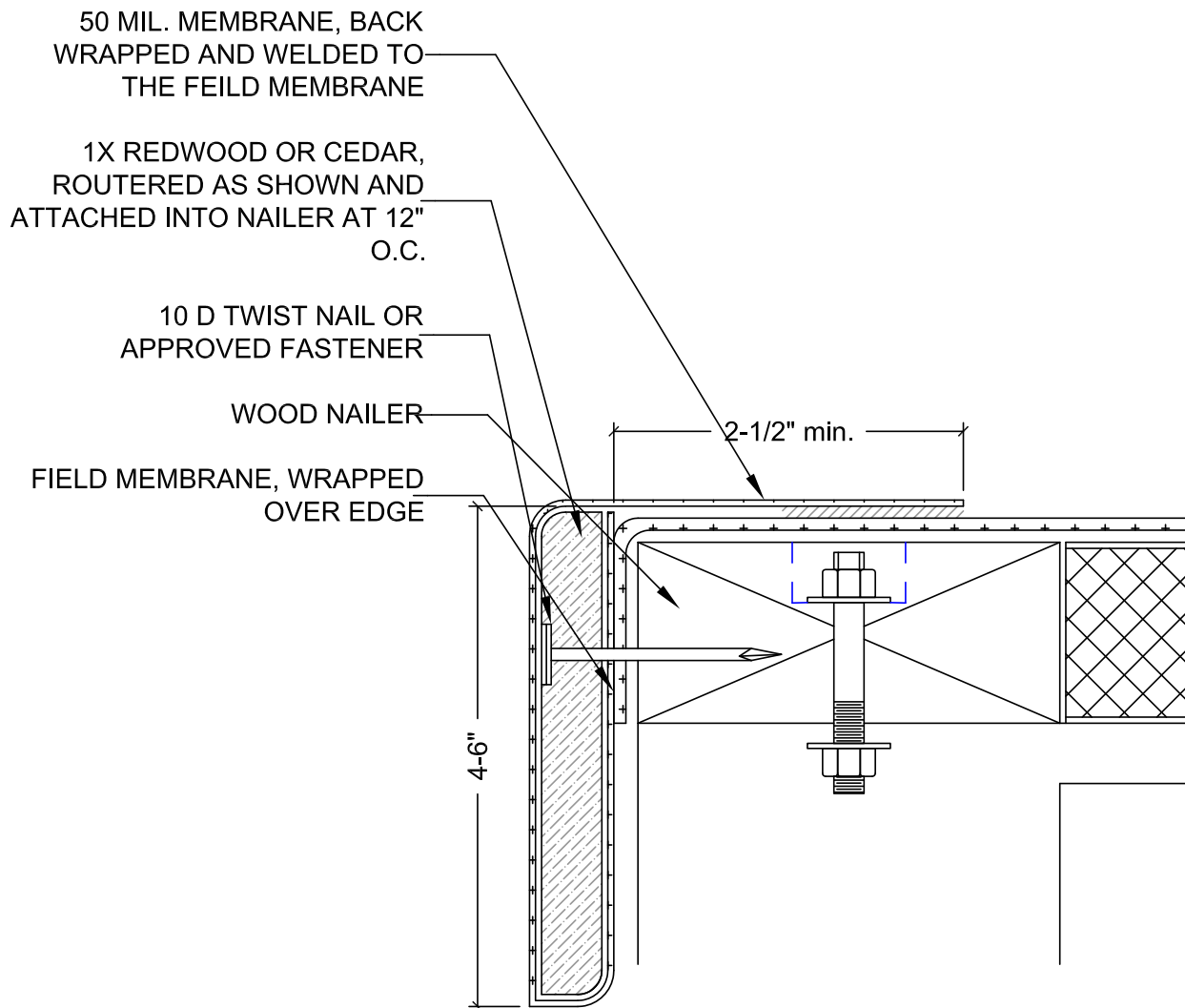


BACK-WRAPPED EDGE



NOTES:

1. NAILERS SHALL BE ANCHORED TO THE ROOF DECK TO RESIST A FORCE OF 175 LBS. PER LINEAR FOOT IN ANY DIRECTION.
2. ALL SEALANTS ARE TO BE MAINTAINED BY THE BUILDING OWNER AND ARE NOT THE RESPONSIBILITY OF IB TO KEEP WATER-TIGHT.

PROJECT NAME:

TITLE:

ME-7 BACK-WRAPPED EDGE

** Click here to link to the AutoCAD™ drawing*

SCALE: NTS

APPROVED BY:

DRAWN BY: A.SCHWAB

PLOT DATE: 11-08
REV: AS 11-08