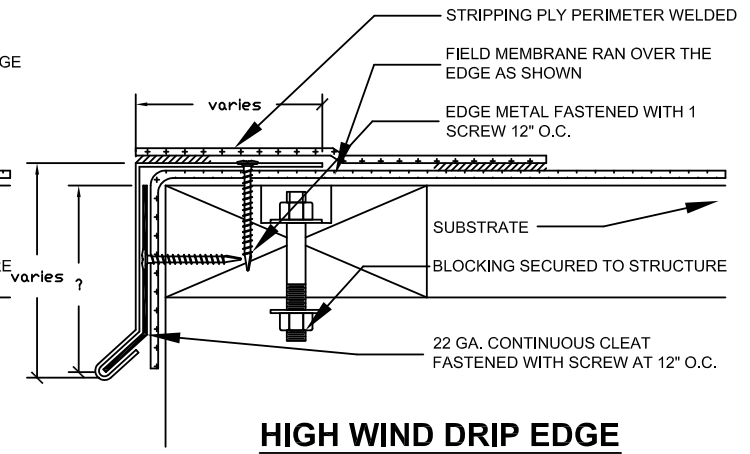
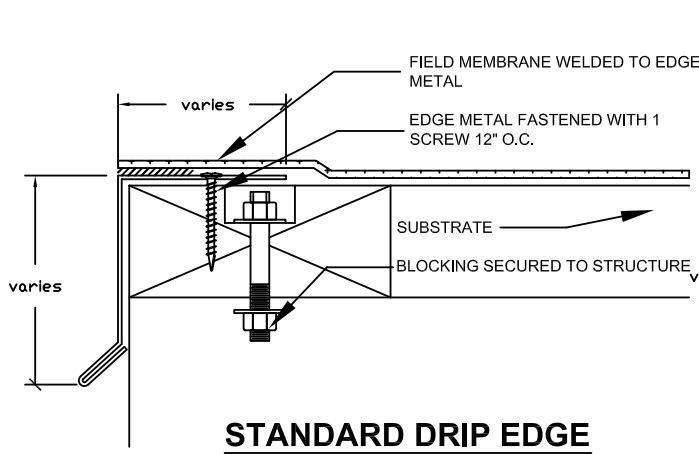
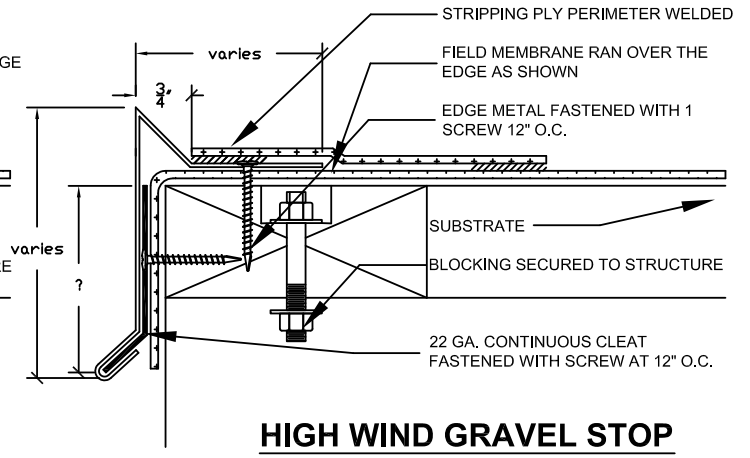
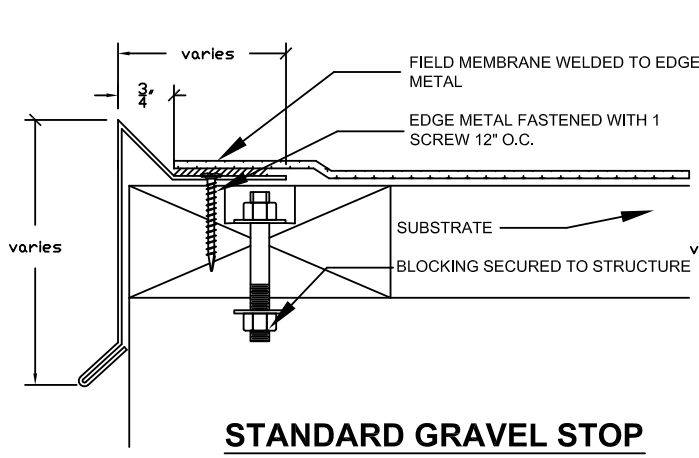


## CLAD EDGE METAL



**NOTES:**

1. NAILERS SHALL BE ANCHORED TO THE ROOF DECK TO RESIST A FORCE OF 175 LBS. PER LINEAR FOOT IN ANY DIRECTION.
2. IB PVC CLAD METAL MAY BE PAINTED WITH A COMPATIBLE EXTERIOR GRADE PAINT. CONTACT IB TECHNICAL SERVICES DEPARTMENT FOR A LIST OF COMPATIBLE PAINTS.

PROJECT NAME:

TITLE:

### ME-3 CLAD EDGE METAL

*\* Click here to link to the AutoCAD™ drawing*

SCALE: NTS

APPROVED BY:

DRAWN BY: A.SCHWAB

PLOT DATE: 11-08  
REV: AS 11-08