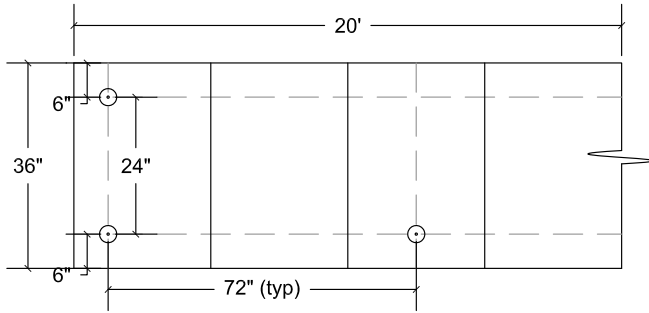
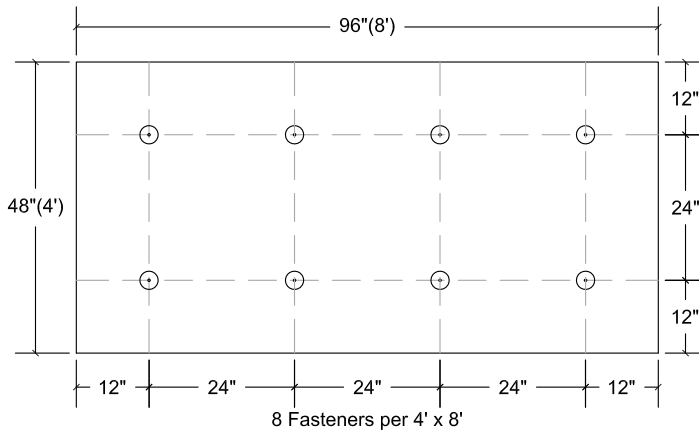


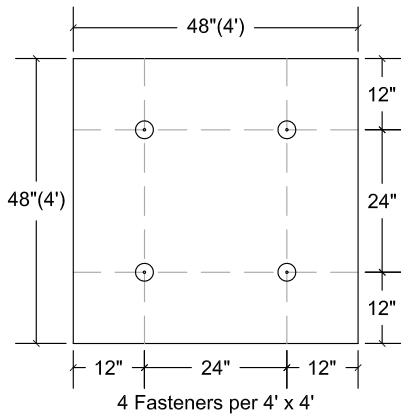
FASTENING PATTERNS FOR INSULATION



FAN-FOLD EPS



**RIGID EPS, XEPS, AND
POLYISOCYANURATE
INSULATION**



**RIGID EPS, XEPS, AND
POLYISOCYANURATE
INSULATION**

NOTES:

1. THE FOLLOWING PATTERNS ARE PROVIDED AS GUIDELINES FOR FASTENER PLACEMENT ON MECHANICALLY ATTACHED IB ROOF SYSTEMS.
2. AN IB SEPARATOR SHEET IS REQUIRED FOR NON-FOIL FACED EPS AND XEPS INSULATIONS AND NON-GLASS RIGID INSULATIONS.
3. RIGID INSULATION AND APPROVED THERMAL BARRIERS USED UNDER A MECHANICALLY ATTACHED IB ROOF SYSTEM ARE TO BE SUPPLEMENTARY ATTACHED WITH 1 FASTENER PER 4 SQUARE FEET, LOCATED A MINIMUM OF 6" FROM THE OUTER SIDES AND ENDS.
4. FAN-FOLD INSULATION USED UNDER MECHANICALLY ATTACHED IB ROOF SYSTEMS ARE TO BE SUPPLEMENTARY ATTACHED WITH 1 FASTENER PER 12 SQUARE FEET.

PROJECT NAME:

TITLE:

MA-9 FASTENING PATTERNS FOR INSULATION

** Click here to link to the AutoCAD™ drawing*

SCALE: NTS

APPROVED BY:

DRAWN BY: A.SCHWAB

PLOT DATE: 11-08
REV: AS 11-08