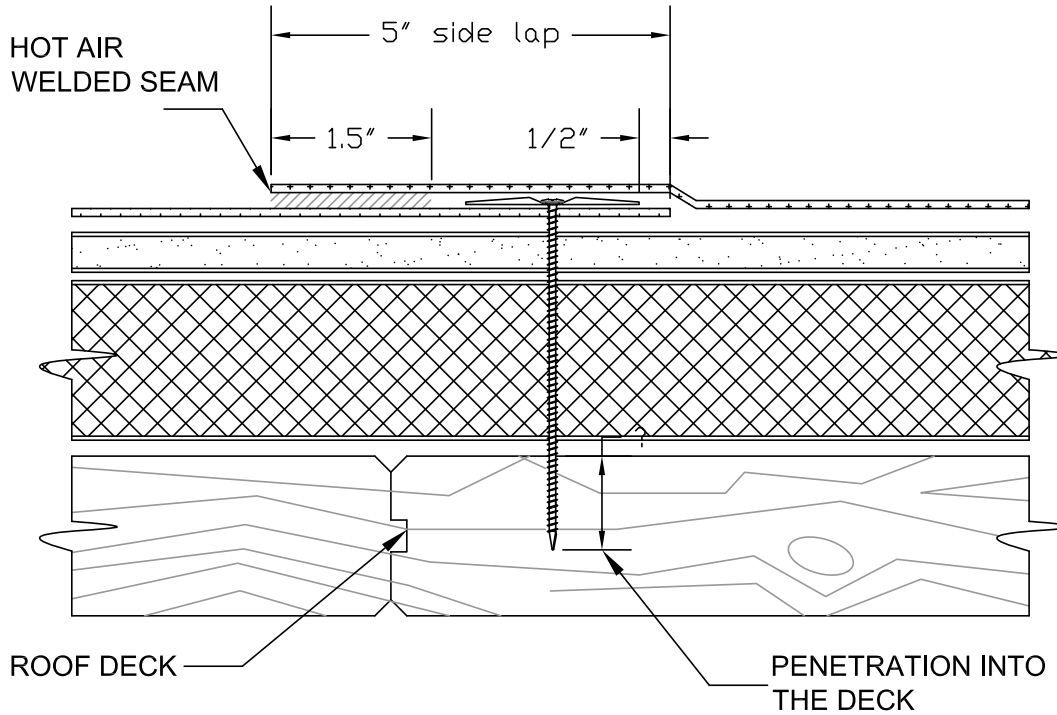


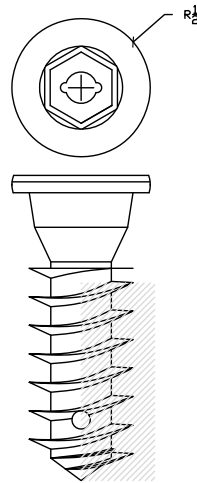
FASTENING PATTERN: SCREWS AND PLATES



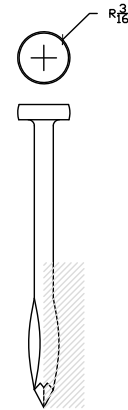
Minimum Fastener Penetrations Into Roof Decks (Standard Attachment):

- 1/2", 5/8", 3/4" Plywood or Oriented Strand Board: 1" completely through using #14 HD or #15 XHD Screws
- 1" min. Wood Plank: 1" completely through the roof deck using #14 HD or #15 XHD Screws
- Structural Concrete: 1" penetration using CD-10
- Light Weight Insulating Concrete: 2-1/4" Using NTB
- Steel: 3/4" completely through top flute using #14 HD or #15 XHD Screws

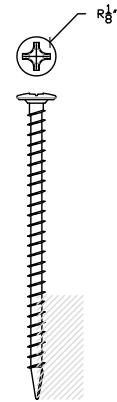
Minimum Pull Values for Fasteners	
>15/32" OSB	220 lbs.
>15/32" 5-ply Plywood	375 lbs.
1" Wood	500 lbs.
22 ga. Steel	500 lbs.
24 ga. Steel	325 lbs.
Concrete	700 lbs.



NTB Fastener



CD-10 Fastener



#12 Standard Fastener

PROJECT NAME:

TITLE:

**MA-1 FASTENING PATTERN:
SCREWS AND PLATES**

** Click here to link to the AutoCAD™ drawing*

SCALE: NTS

APPROVED BY:

DRAWN BY: A.SCHWAB

PLOT DATE: 11-08
REV: AS 11-08