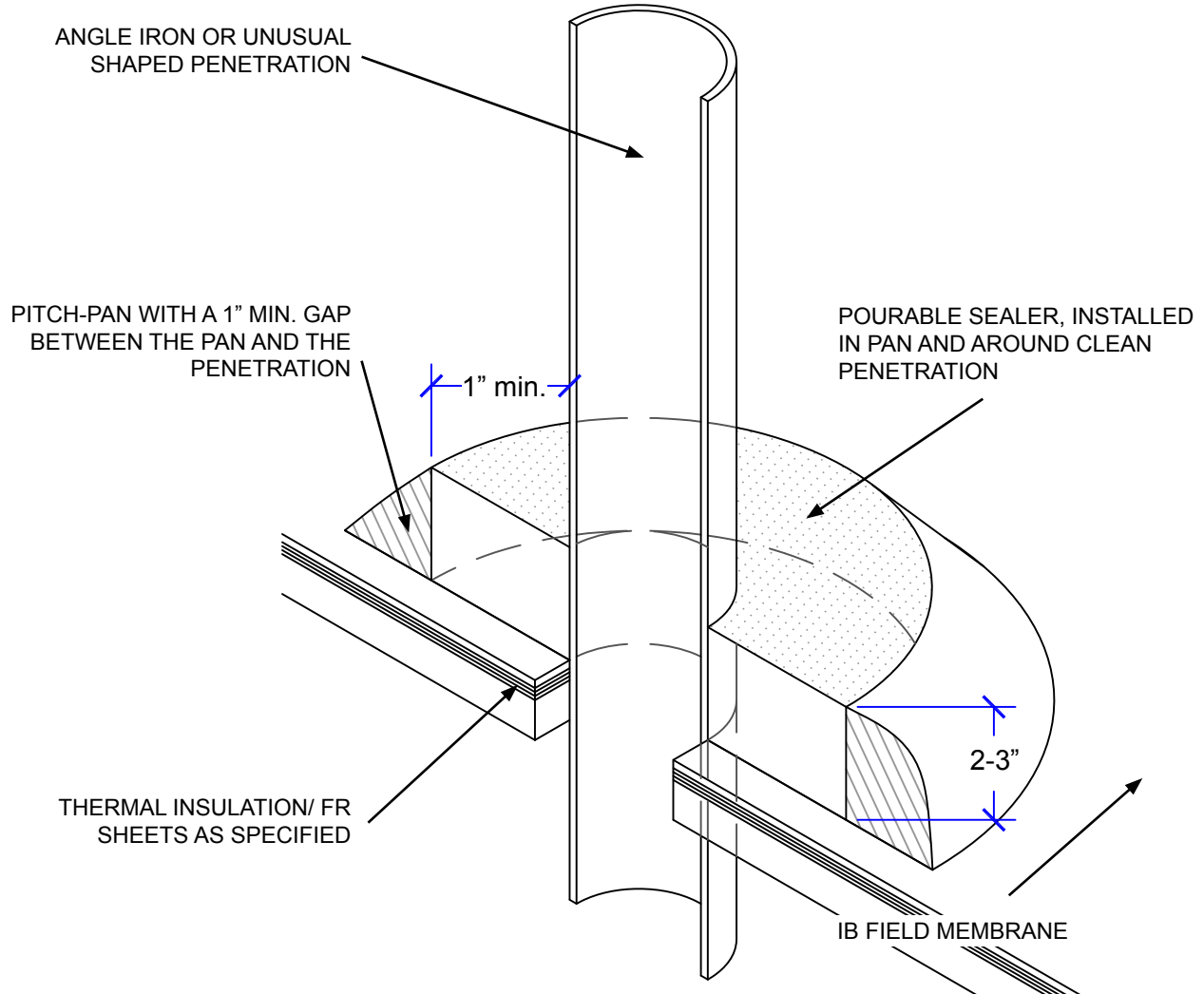


CHEMICAL PITCH-PAN DETAIL



NOTES:

1. THE FOLLOWING DETAIL SHOWN IS TO BE CONSIDERED THE LAST RESORT WHEN FLASHING AN UNUSUALLY SHAPED PENETRATION THAT CANNOT BE FLASHED USING AN IB SPLIT CONE, OR FINGER FLASHED WITH IB FLASHING MEMBRANE.
2. IB ROOFING SYSTEMS DO NOT RECOMMEND THE USE OF PITCH-PANS ON ROOFS. THEIR USE REQUIRES THE BUILDING OWNER TO MAINTAIN IN A WATER-TIGHT CONDITION AND IS NOT COVERED UNDER THE IB MATERIAL OR NDL WARRANTIES.

PROJECT NAME:

TITLE:

F-24 CHEMICAL PITCH-PAN DETAIL

** Click here to link to the AutoCAD™ drawing*

SCALE: NTS

APPROVED BY:

DRAWN BY: A.SCHWAB

PLOT DATE: 11-08
REV: AS 11-08