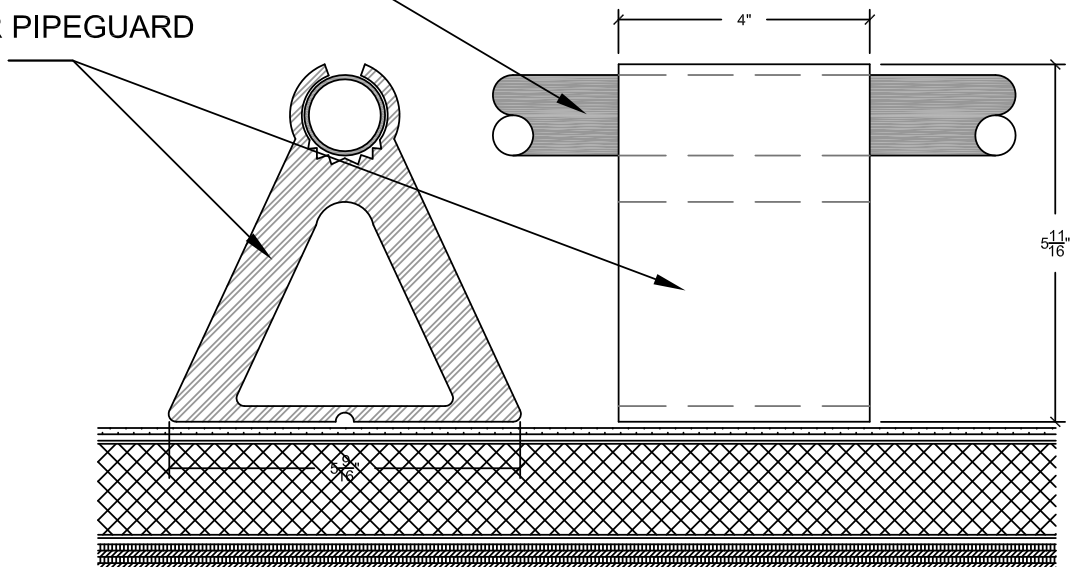


CONDUIT/ GAS/  
 CONDENSATION PIPE

RUBBER PIPEGUARD



PIPE

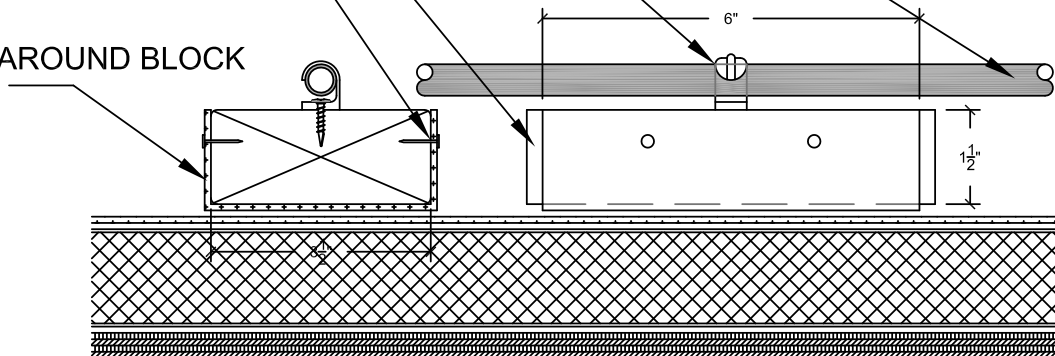
PIPE CLAMP

SCREW FASTENER

COMPOSITE BLOCK OR CEDAR/  
 REDWOOD BLOCK

E.G ROOFING NAILS

IB MEMBRANE, AROUND BLOCK



PROJECT NAME:

TITLE:

**FP-6 ISOLATION PADS**

SCALE: NTS

APPROVED BY:

DRAWN BY: A.SCHWAB

PLOT DATE: 11-08  
 REV: AS 11-08