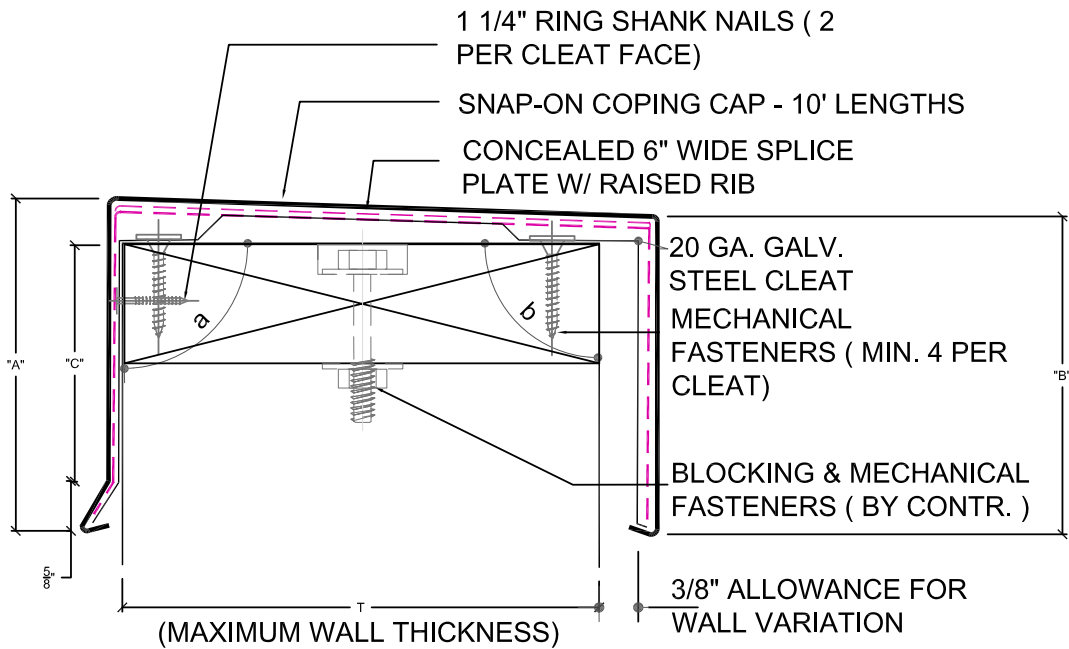


## WP HICKMAN PERMA-SNAP COPING CAP



PROJECT NAME:

TITLE:

### FB-21 WP HICKMAN PERMA-SNAP COPING CAP

*\* Click here to link to the AutoCAD™ drawing*

SCALE: NTS

APPROVED BY:

DRAWN BY: A.SCHWAB

PLOT DATE: 11-08  
REV: AS 11-08